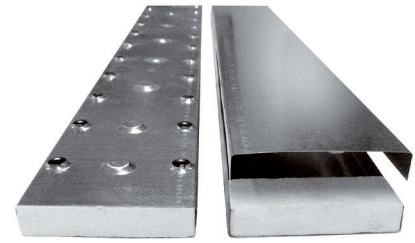
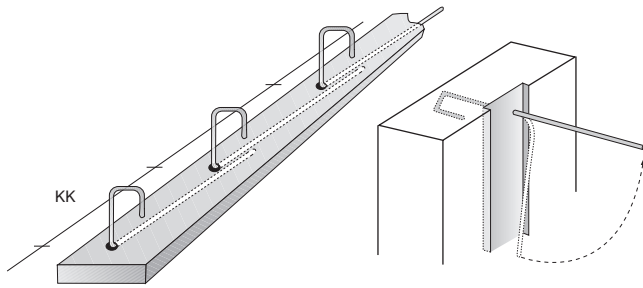


Casing width mm	60	90	115	145	180	210	240	260
D =	–	70	95	125	160	190	220	240
Steel mm	x	x	x	x	x	x	x	x
Steel mm	x	x	x	x	x	x	x	x
Steel mm	x	x	x	x	x	x	x	x
Reinforcement bar distribution in the casing								
100 mm	–	–	–	x	x	x	x	x
125	–	–	–	x	x	x	x	x
150	x	x	x	x	x	x	x	x
200	x	x	x	x	x	x	x	x
250	x	x	x	x	x	x	x	x
300	x	x	x	x	x	x	x	x
450	x	x	x	x	x	x	x	x

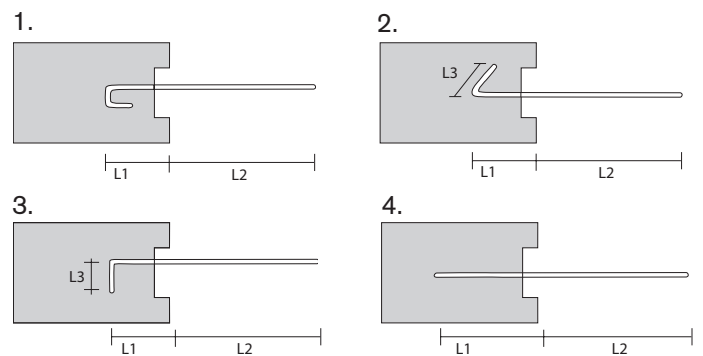


Casing and cover steel sheet
*end covers

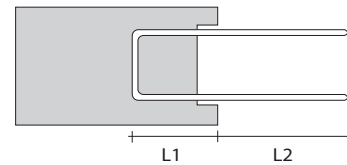
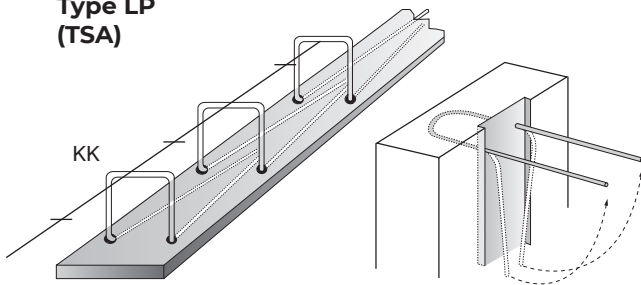
Type LP-Y (TSA)



Steel anchoring alternatives / 1st cast



Type LP (TSA)

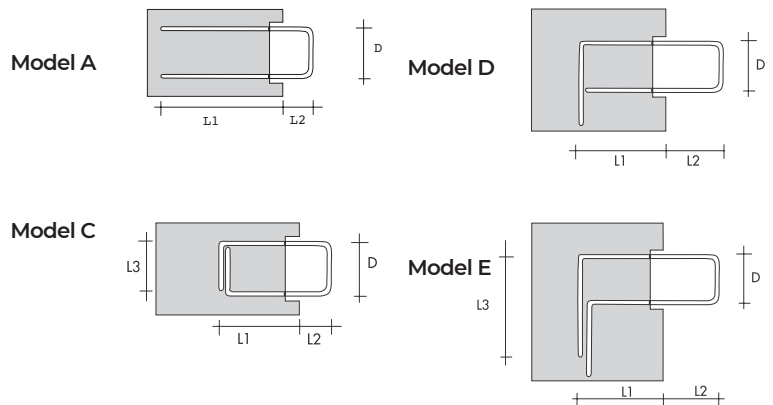
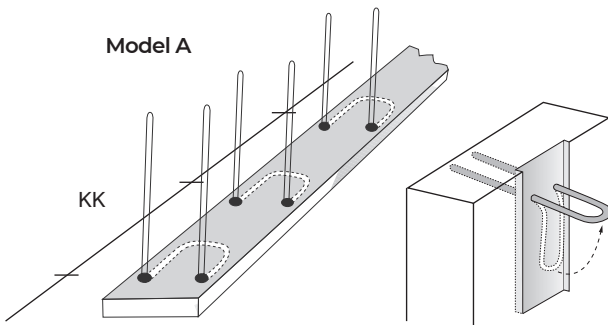


L1 = 150mm
L2 = 350 or 400mm / 8mm steel
L2 = 400 or 500mm / 10mm steel
L2 = 500 or 600mm / 12mm steel

Measures L1, L2 and L3 can be changed in all types

Type LP-V (TSK)

Steel anchoring alternatives / 1st cast



Product ID, such as: LP 145-10/150 (type LP, casing width 145 mm, steel size 10 mm, steel centre-to-centre distance 150 mm)